

- Surface Mount 4mm Square
- SingleTurn / Cermet / Industrial / Sealed
- Compatible with surface mount manufacturing processes
- Compatible with popular vacuum pick-and-place equipment

1804(3314)-Trimmer™ 4mm Square SMD Trimming Potentiometer

Electrical Characteristics

- Standard Resistance Range**
.....10 to 2 megohms
(see standard resistance table)
- Resistance Tolerance**
..... ±10% std.
(tighter tolerance available)
- Absolute Minimum Resistance**
.....1% or 2 ohms max.
(whichever is greater)
- Contact Resistance Variation**
.....3% or 3 ohms max.
(whichever is greater)
- Resolution**
..... Essentially Infinite
- Insulation Resistance(500 Vdc)**
..... 1,000 megohms min.
- Dielectric Strength**
.....101.3 kPa 600 Vac
..... 8.5 kPa 250 Vac
- Effective Travel**
.....210° nom.

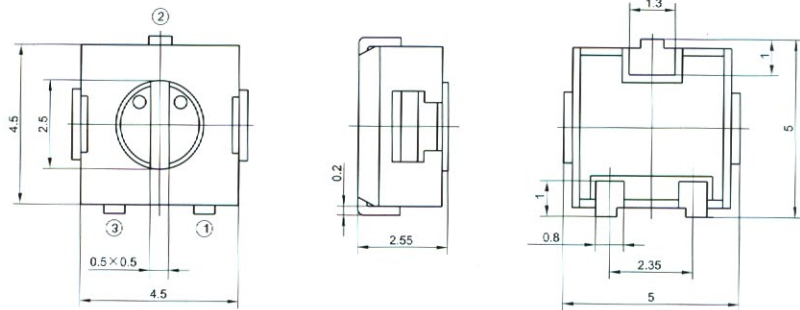
Environmental Characteristics

- Power Rating (200 volts max.)**
..... 0.25 watt (70°C), 0 watt (125°C)
- Temperature Range**
.....-55°C to +125°C
- Temperature Coefficient**
..... ±100ppm/°C
- Vibration**
..... 98 m/s²
(1% Δ TR; 1% Δ VR)
- Shock**
.....490 m/s²
(1% Δ TR; 1% Δ VR)
- Load Life**
..... 1,000 hours 0.25 watt @ 70°C
(3% Δ TR; 3% or 3 ohms, whichever is greater, CRV)
- Rotational Life**
.....100 cycles
(3% Δ TR; 3% or 3 ohms, whichever is greater, CRV)
- Thermal Shock**
.....5 cycles
(2% Δ TR; 1% Δ VR)

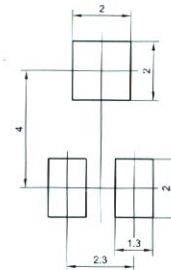
Physical Characteristics

- Mechanical Angle**
..... 270° nom.
- Torque**
.....18mN • m max.
- Stop Strength**
..... 30mN • m min.
- Wiper**
..... Set at 50% nominal

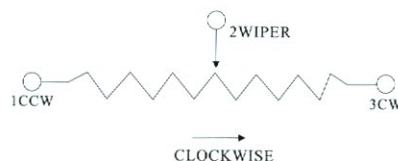
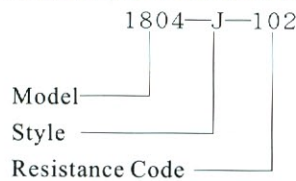
1804(3314)-J DIMENSIONS



RECOMMENDED PCB LAYOUT



How to order



Standard Resistance Table

Resistance (Ohms)	Resistance Code
10	100
20	200
50	500
100	101
200	201
500	501
1,000	102
2,000	202
5,000	502
10,000	103
20,000	203
25,000	253
50,000	503
100,000	104
200,000	204
250,000	254
500,000	504
1,000,000	105
2,000,000	205

Special resistance available
TCR of shaded areas ±250ppm/°C

Detail Specification: Q/R515-2003

